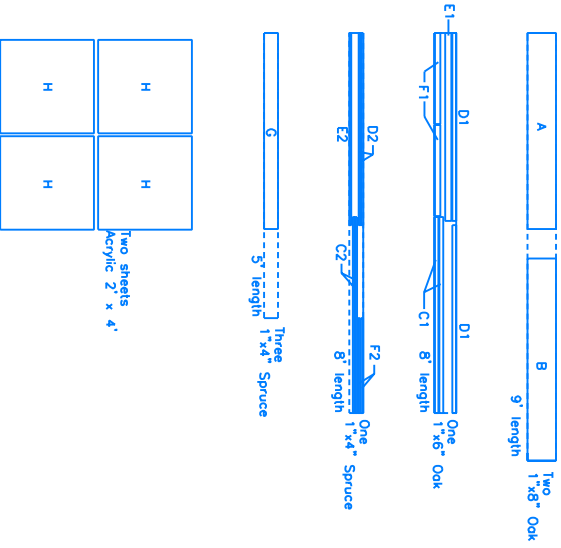


## 51" X 51" SUNSHINE CEILING

- 4) Fill exposed nail and screw holes, with filler mixed with stain to match stained project. Apply stain and finish to project. Apply final finish using manufacturer's instructions. You may wish to paint the inside faces of pieces A and B white in order to reflect more light.
- 5) Locate where sunshine ceiling is to hang, marking corner locations of sunshine ceiling on existing ceiling. Locate rollers in ceiling. Position sunshine ceiling so pieces G run perpendicular to rollers (Fig 10). Mount ceiling assembly to rollers by screwing through pieces G, into rollers using sixteen 3" #8 flathead screws, four in each piece G. Be careful to avoid screwing into concealed electrical wire which might be in existing ceiling. Install eye screws in pieces G directly above the eye-hooks previously installed in pieces E2. Connect the eye screws with light wire to increase the support of the ceiling.
- 6) Have a licensed electrician mount the fluorescent fixtures (pieces J) between pieces G.
- 7) Starting at one corner, insert an acrylic piece H into the grid and slide on F assembly under it to hold it in place. Ensure that the acrylic fits onto the lip of the assemblies. Continue placing acrylics and F pieces until you have one acrylic piece left. Insert the final piece of an angle and lower it into place. Reverse this procedure to change fluorescent tubes.

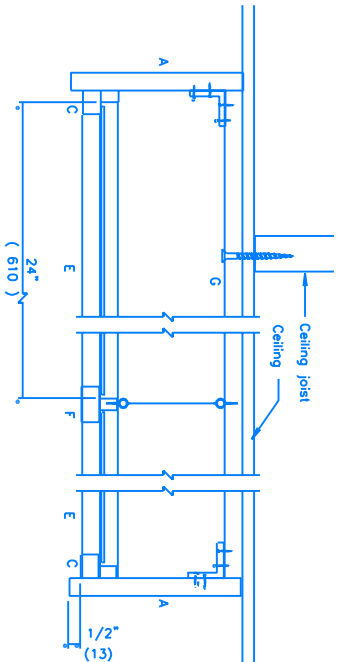
### On materials:

Use only top quality material for this project. We suggest wood to match your decor, oak or mahogany are excellent choices although cedar or fir could be used.



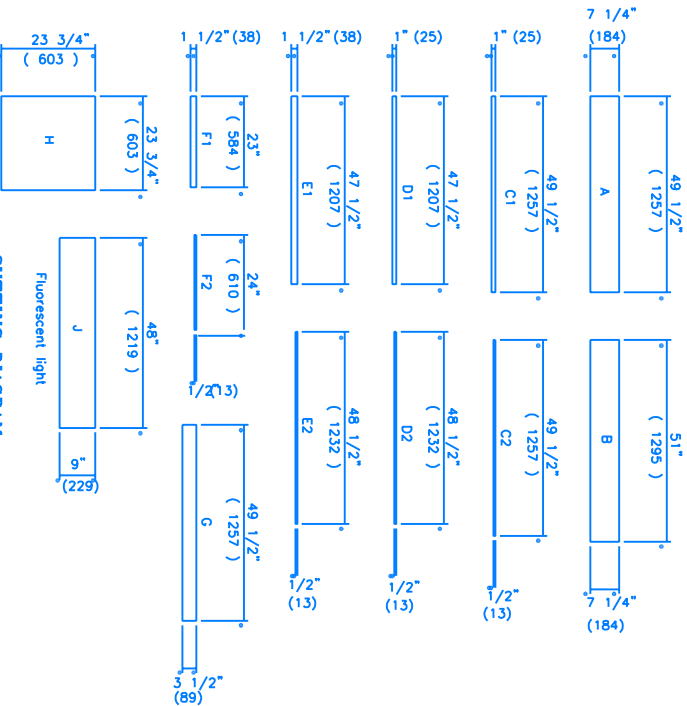
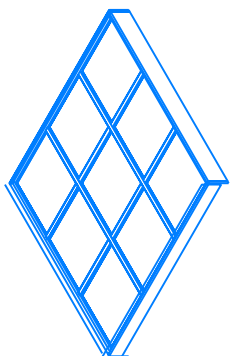
**MATERIALS LAYOUT**  
**FIGURE 1**

- ### MATERIALS LIST (51" X 51")
- One 1"x4"x8" (3/4"x3.1/2"x8") softwood
  - Three 1"x6"x8" (3/4"x3.1/2"x8") softwood
  - One 1"x6"x6" (3/4"x3.1/2"x6") hardwood
  - Two 1"x8"x9" (3/4"x3.1/2"x9") hardwood
  - Approx. 1/2 lb. 1-1/2" finishing nails
  - Approx. 1/2 lb. 1-1/2" finishing nails
  - Approx. thirty 3/4" #8 flathead screws
  - Approx. ten 1-1/2" #8 flathead screws



**SECTION**  
**FIGURE 10**

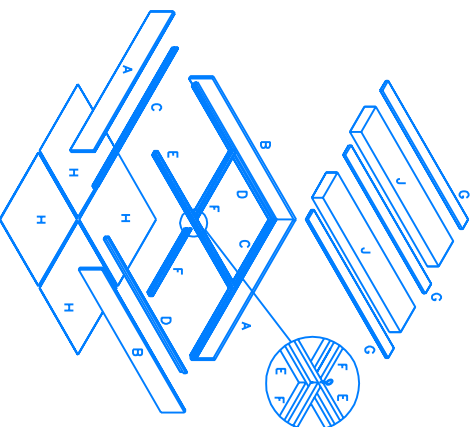
## FINISHED PROJECT



**CUTTING DIAGRAM**  
**FIGURE 2**

- ### MATERIALS LIST (51" X 51")
- Approx. Twenty 3" #8 flathead screws
  - Four 23-3/4"x23-3/4"x1/8" pieces acrylic
  - Stain, oil, varnish or gloss white paint
  - Two fill fluorescent fixtures
  - Sandpaper
  - Carpenter's glue
  - Four eye screws

- ### TOOLS
- Screwdriver
  - Table Saw
  - Drill
  - Square
  - Router
  - Brad nailer
  - Pencil
  - Measuring tape
  - Hammer



**EXPLODED VIEW**  
**FIGURE 9**

**Note:**  
51" Ceiling is built the same way as the 75 1/2" ceiling. Merely substitute dimensions from cutting diagram and materials layout.